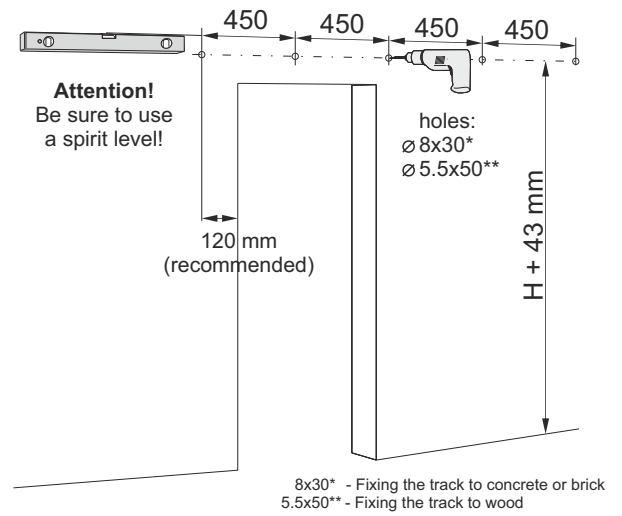


1. Hole positioning on wall



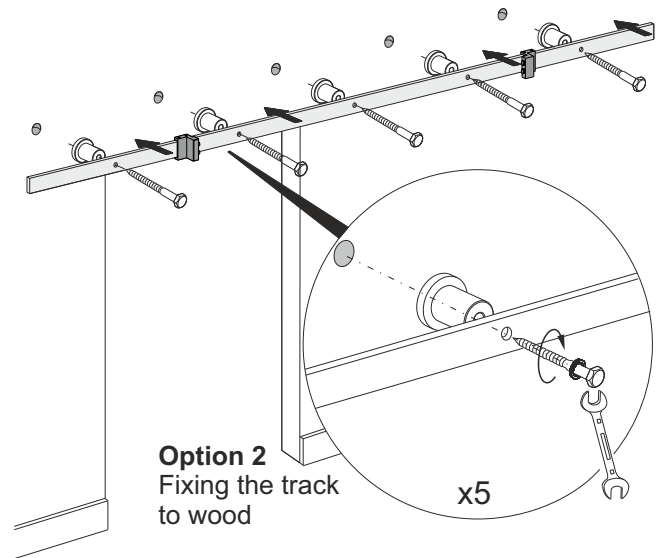
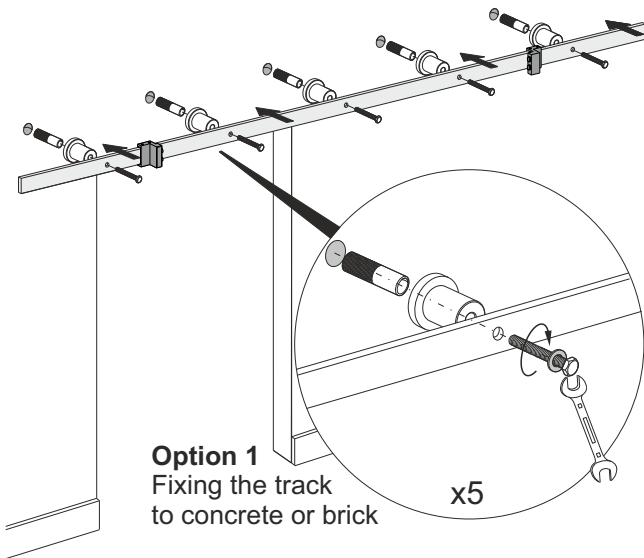
2. Installation of stopper with track

insert the stopper
beyond the first hole
in the track

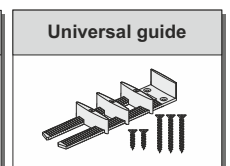
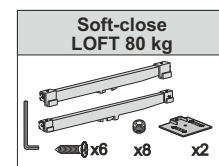


insert the stopper
beyond the first hole
in the track

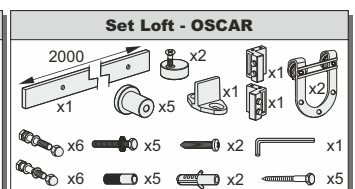
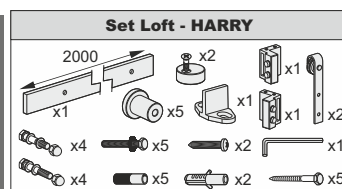
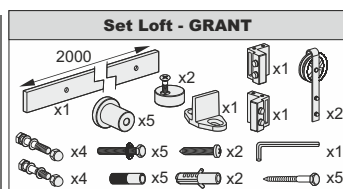
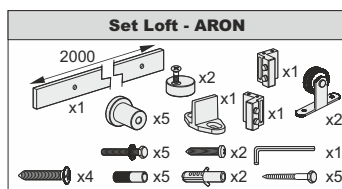
3. Fixing the track to the wall



ADDITIONAL COMPONENTS

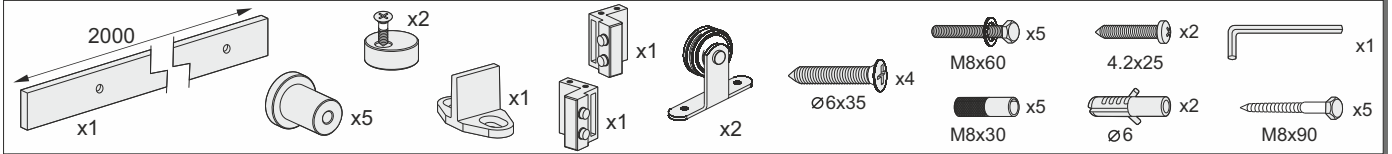


COMPONENTS

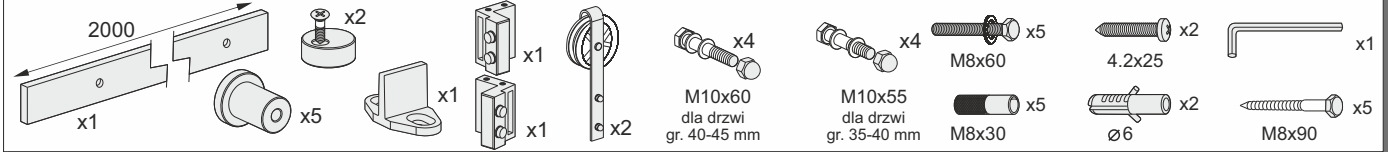




Set LOFT for pathway doors – **ARON**



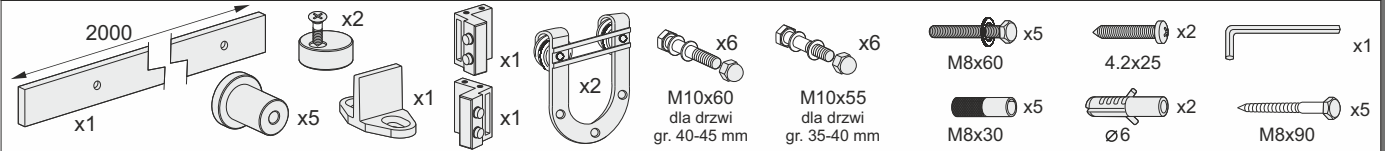
Set LOFT for pathway doors – **GRANT**



Set LOFT for pathway doors – **HARRY**

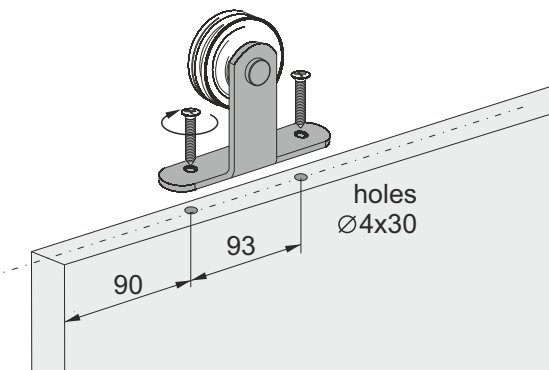


Set LOFT for pathway doors – **OSCAR**

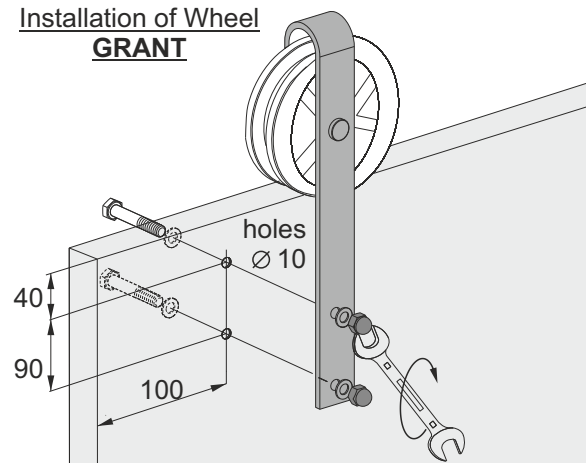


4. Installation of Wheel

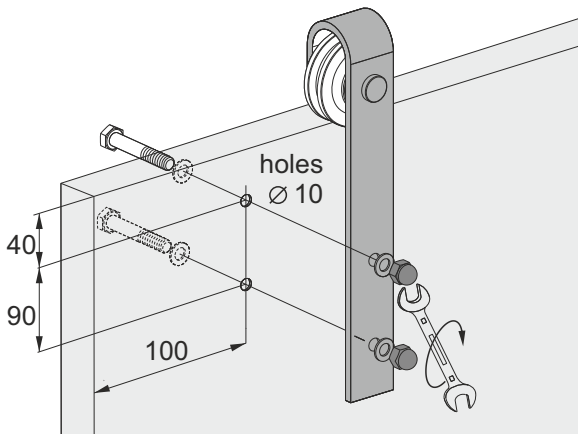
Installation of Wheel
ARON



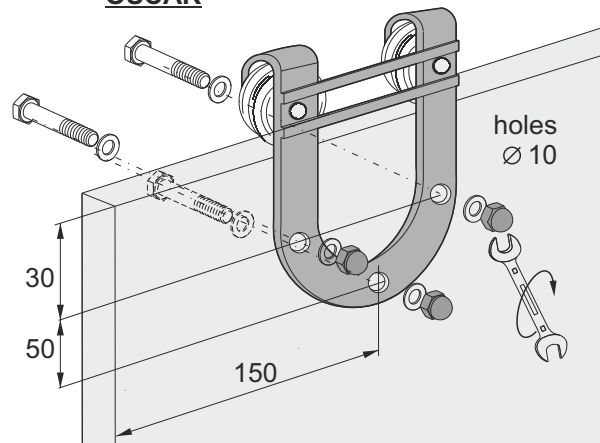
Installation of Wheel
GRANT



Installation of Wheel
HARRY

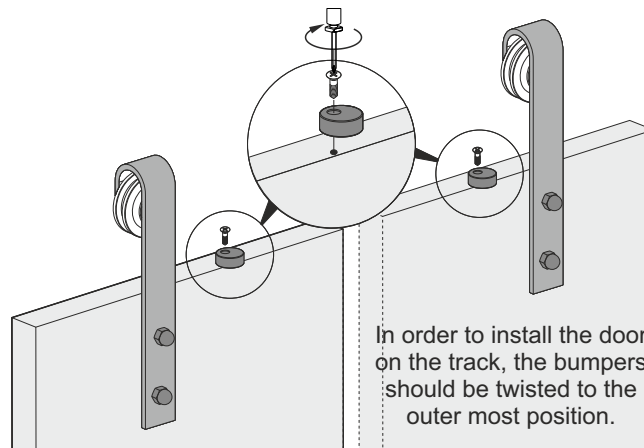


Installation of Wheel
OSCAR

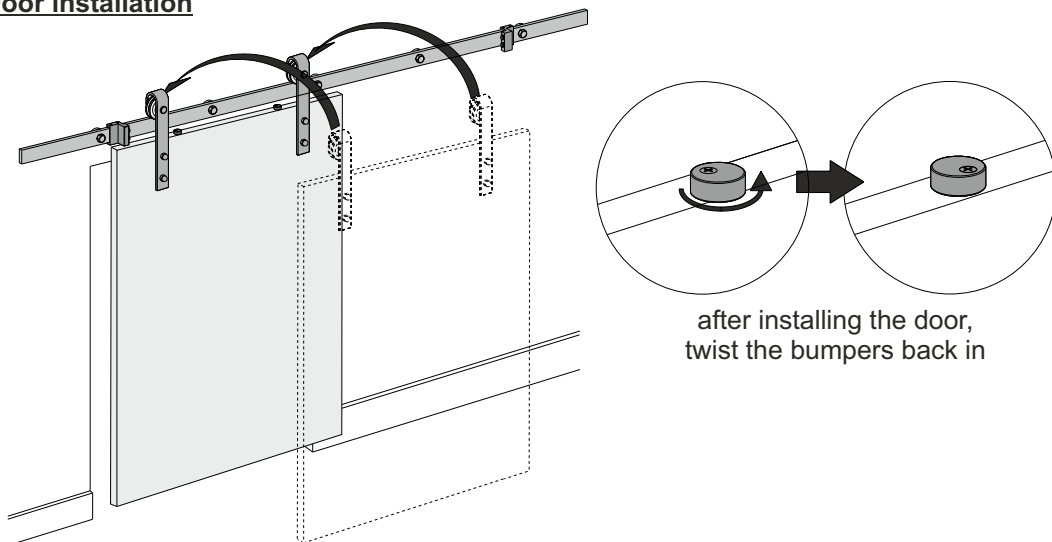




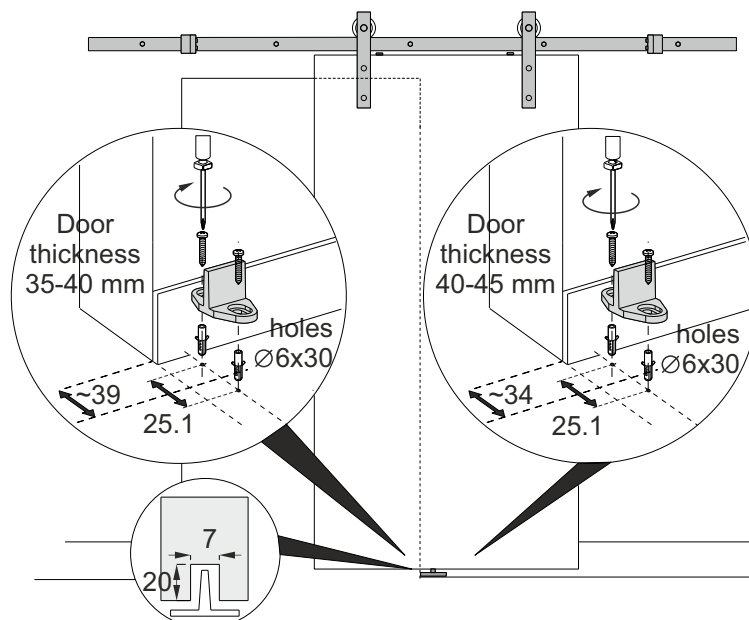
5. Bumper installation



6. Door installation

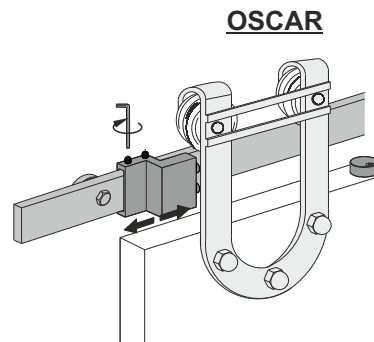
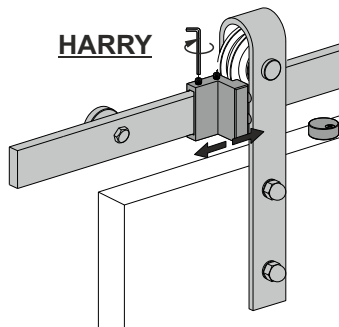
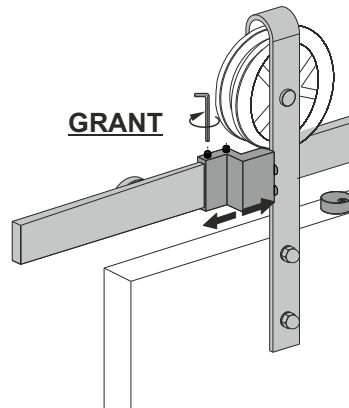
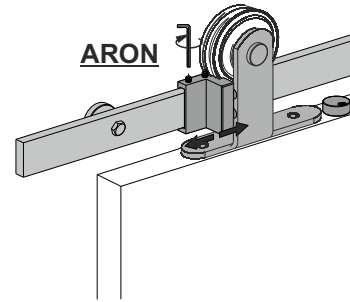
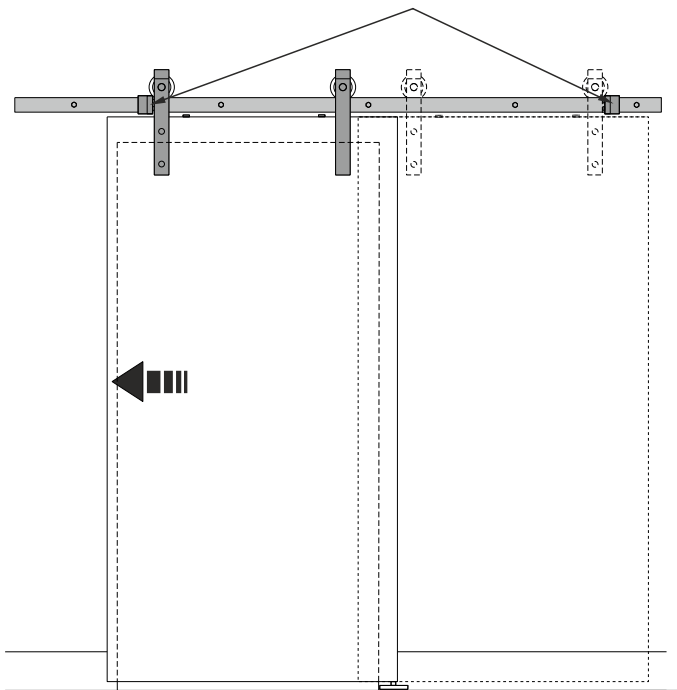


7. Guide installation





**8. Position the stoppers
on the track**



ADDITIONAL DIMENSIONS

Minimum distance from the track to the ceiling is necessary to install the door,
also the amount that the system protrudes from the wall.

