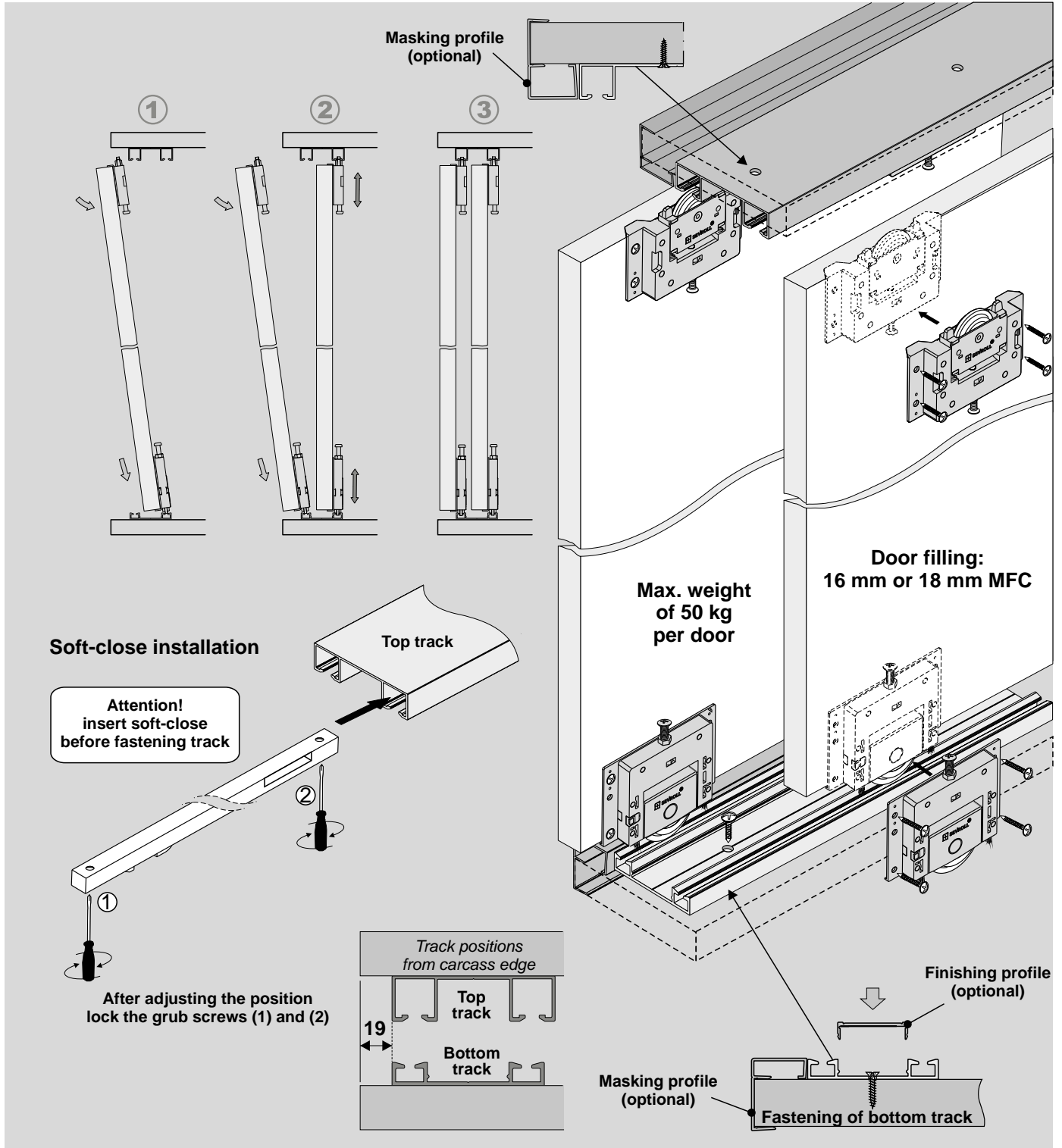




SYSTEM

COMPACT

SEVROLL®



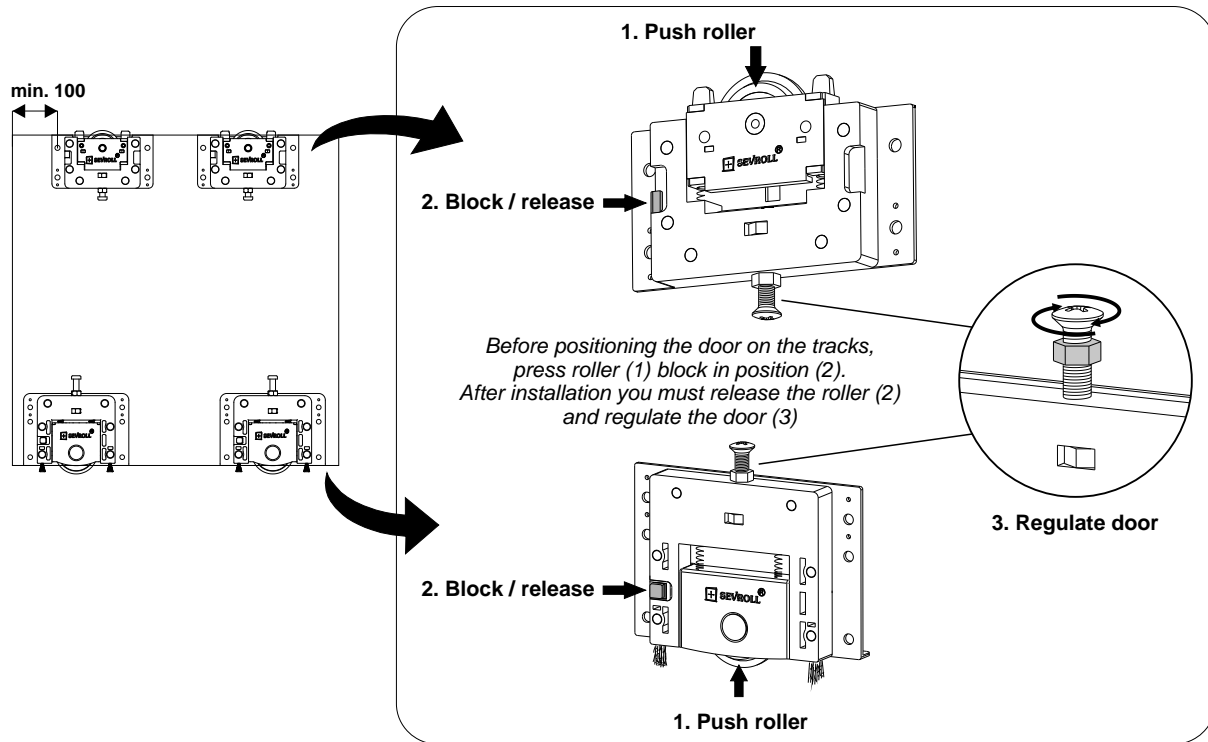
COMPONENTS

<p>Top track Compact</p>	<p>Bottom track Compact</p>	<p>Finishing profile for bottom track Cleft</p>	<p>Top track masking profile</p>	<p>Bottom track masking profile</p>	<p>Set Compact (1 door)</p> <p>Top guide x2</p> <p>Bottom carriage x2</p> <p>Allen key 2 mm x1</p> <p>Ø4x14 x16</p>	<p>Soft-close Compact</p> <p>x2</p>
--------------------------	-----------------------------	---	----------------------------------	-------------------------------------	---	-------------------------------------

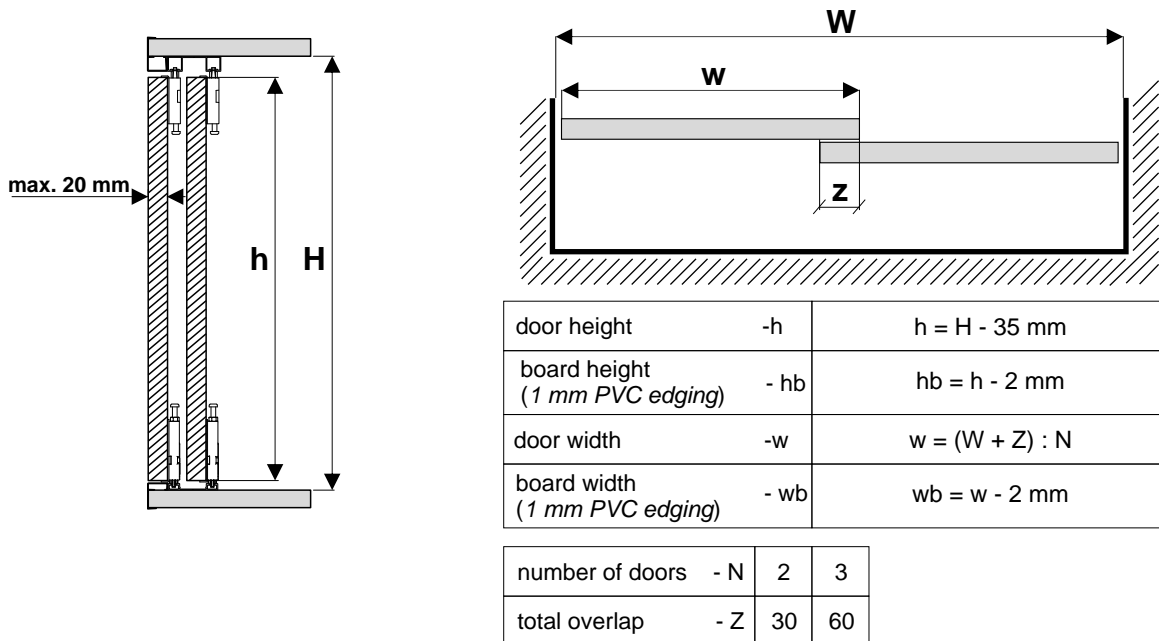
Length:
1.7 m, 2.35 m, 3.0 m, 6.0 m



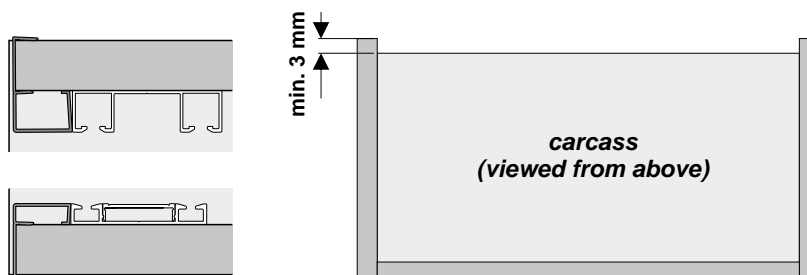
1. Door installation



Dimensions of opening



Warning! When using masking profiles carcass sides should protrude a min. of 3 mm



ATTENTION!

Remove protective film from aluminium elements (handles, tracks, connectors, etc.) prior to cutting them to the desired size. Film removal will reveal quality issues (eg. scratches)