

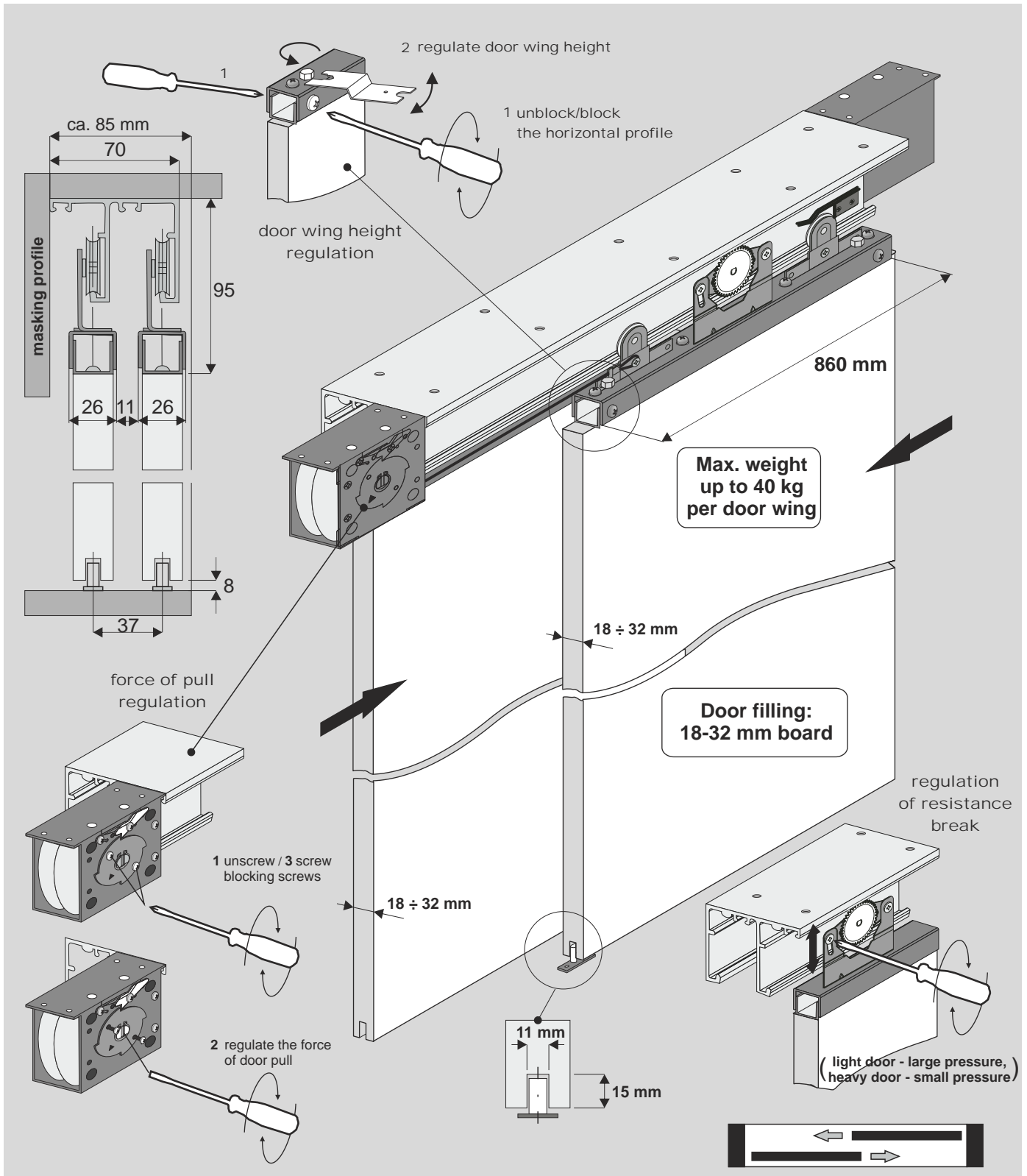


SEVROMATIC

# AUTOSPRING



# SEVROLL®



## COMPONENTS

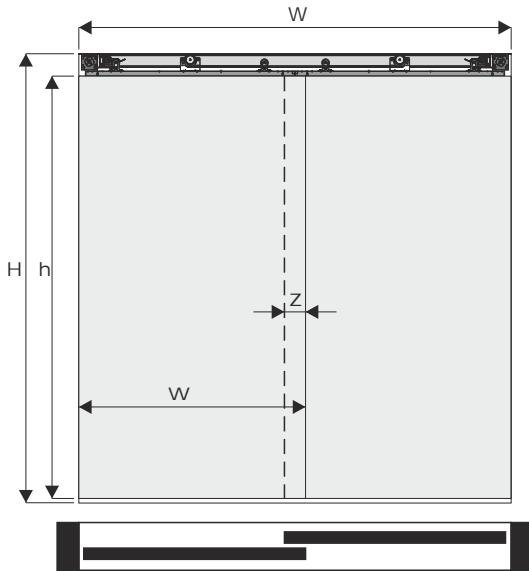
AUTOSPRING set (2 wings)

|                                                        |                  |                |                                                                                                                                                                                                                                                                                                 |
|--------------------------------------------------------|------------------|----------------|-------------------------------------------------------------------------------------------------------------------------------------------------------------------------------------------------------------------------------------------------------------------------------------------------|
| <p>1980</p> <p>Top track with Autospring mechanism</p> | <p>2 x Guide</p> | <p>spanner</p> | <ul style="list-style-type: none"> <li> <math>\varnothing 5 \times 30</math> - 20 pcs (for track and hor. profiles)</li> <li> <math>\varnothing 4 \times 16</math> - 4 pcs (for the box with pulling mechanism)</li> <li> <math>\varnothing 3.5 \times 20</math> - 4 pcs (for guide)</li> </ul> |
|--------------------------------------------------------|------------------|----------------|-------------------------------------------------------------------------------------------------------------------------------------------------------------------------------------------------------------------------------------------------------------------------------------------------|

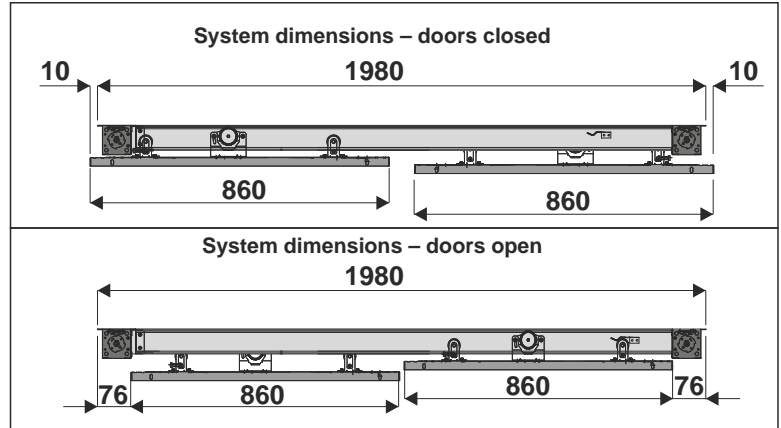


SEVROMATIC

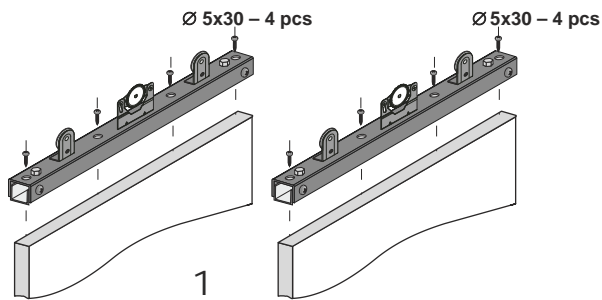
AUTOSPRING



|                   |                             |
|-------------------|-----------------------------|
| opening width - W | min. 1980 mm ÷ max. 2040 mm |
| overlap - z       | $z = 30 + (W - 1980)$       |
| door width - w    | $w = (W + z) : 2$           |
| door height - h   | $h = H - 103$               |

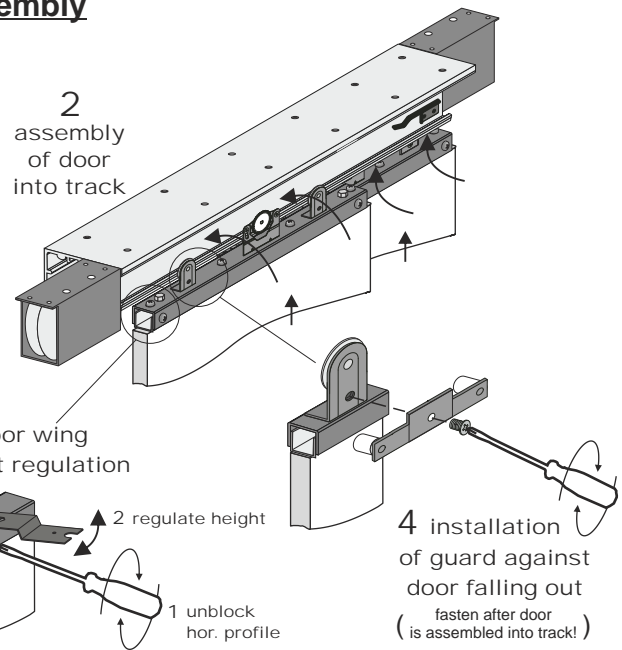


### Door assembly



1  
assembly of horizontal profile  
with carriage system to door wing

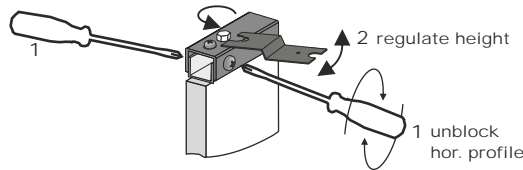
Attention!  
door wing must be screwed symmetrically  
to the hor. profile



2  
assembly  
of door  
into track

3 door wing  
height regulation

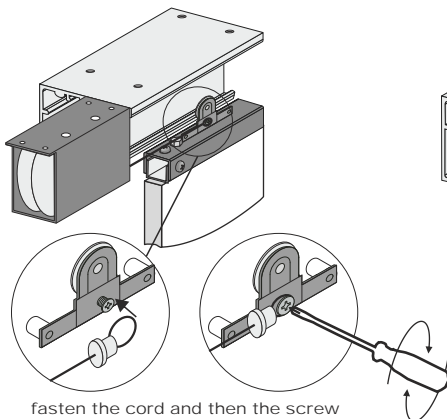
4 installation  
of guard against  
door falling out  
(is assembled into track!)



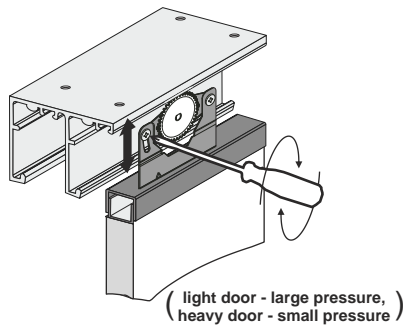
5  
installation of cord  
for the pulling mechanism

6  
regulation  
of resistance break

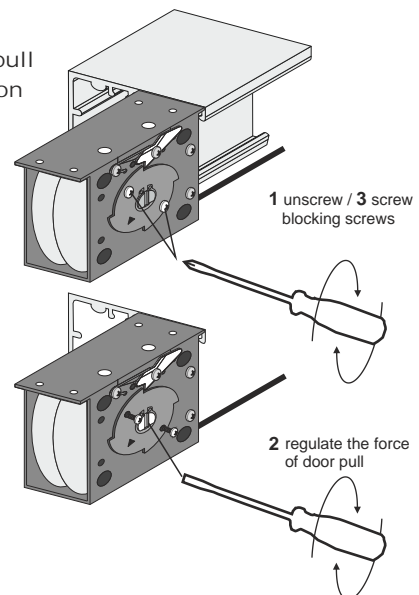
7  
force of pull  
regulation



fasten the cord and then the screw



(light door - large pressure,  
heavy door - small pressure)



1 unscrew / 3 screw  
blocking screws

2 regulate the force  
of door pull